

Service Manual

REFRIGERATOR-FREEZER

Model No. **NR-BN34AX1**

Model No. **NR-BN34AS1**

Model No. **NR-BN34AW1**

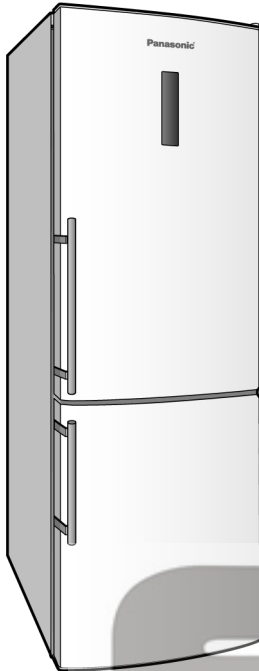
Product-Color X:Stainless

S:Inox-look

W:White

Destination E(Europe Continental)


B(U.K.)



WARNING

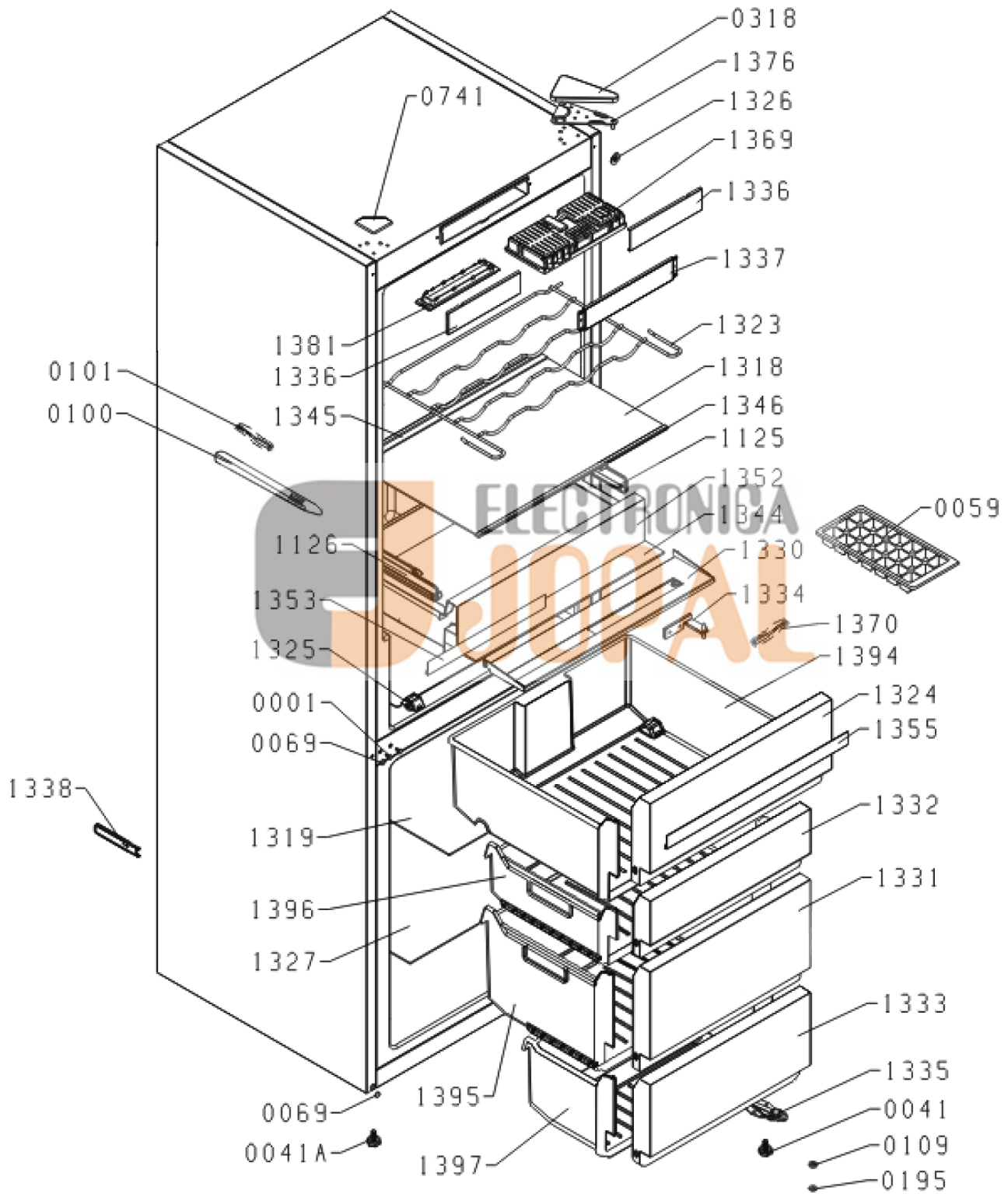
This service information is designed for experienced repair technicians only and is not designed for use by the general public. It does not contain warnings or cautions to advise non-technical individuals of potential dangers in attempting to service a product. Products powered by electricity should be serviced or repaired only by experienced professional technicians. Any attempt to service or repair the product or products dealt with in this service information by anyone else could result in serious injury or death.

IMPORTANT SAFETY NOTICE

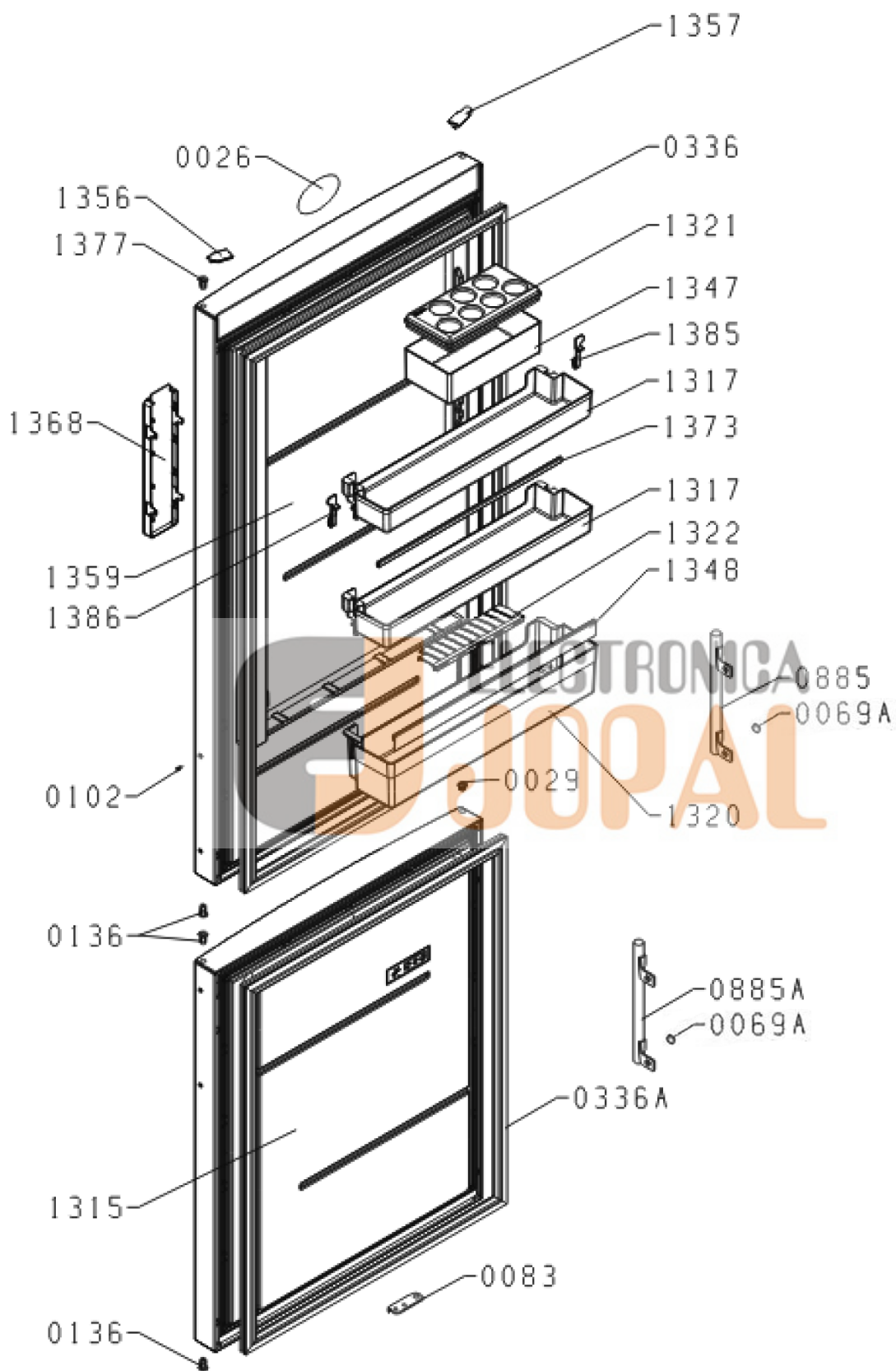
There are special components used in this equipment which are important for safety. These parts are marked by  in the Schematic Diagrams, Circuit Board Diagrams, Exploded Views and Replacement Parts List. It is essential that these critical parts should be replaced with manufacturer's specified parts to prevent shock, fire or other hazards. Do not modify the original design without permission of manufacturer.

11 Exploded View and Replacement Parts List

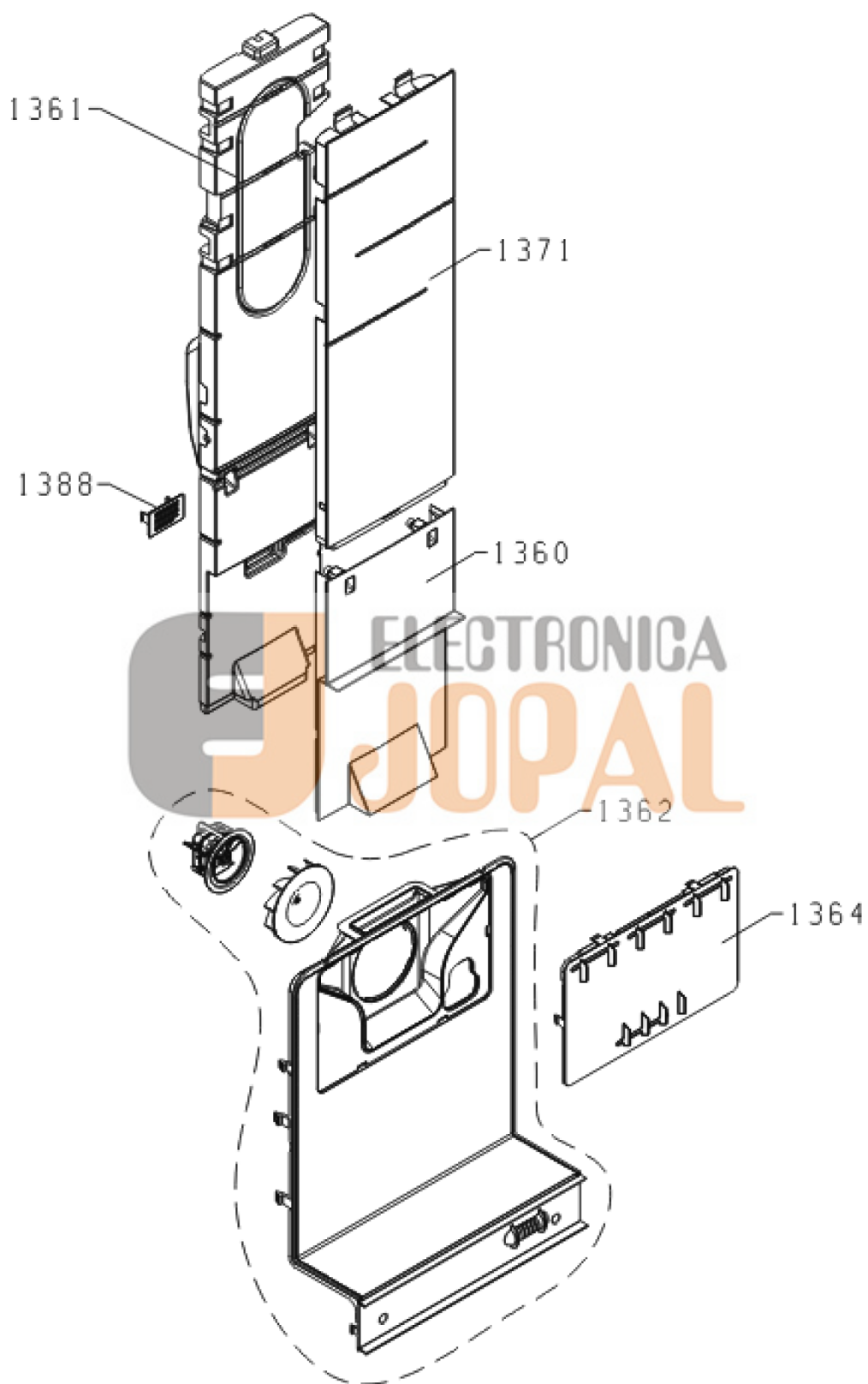
11.1. Interior Parts



11.3. Door Assy Parts



11.5. Multiflow Parts



11.7. Unit Parts

