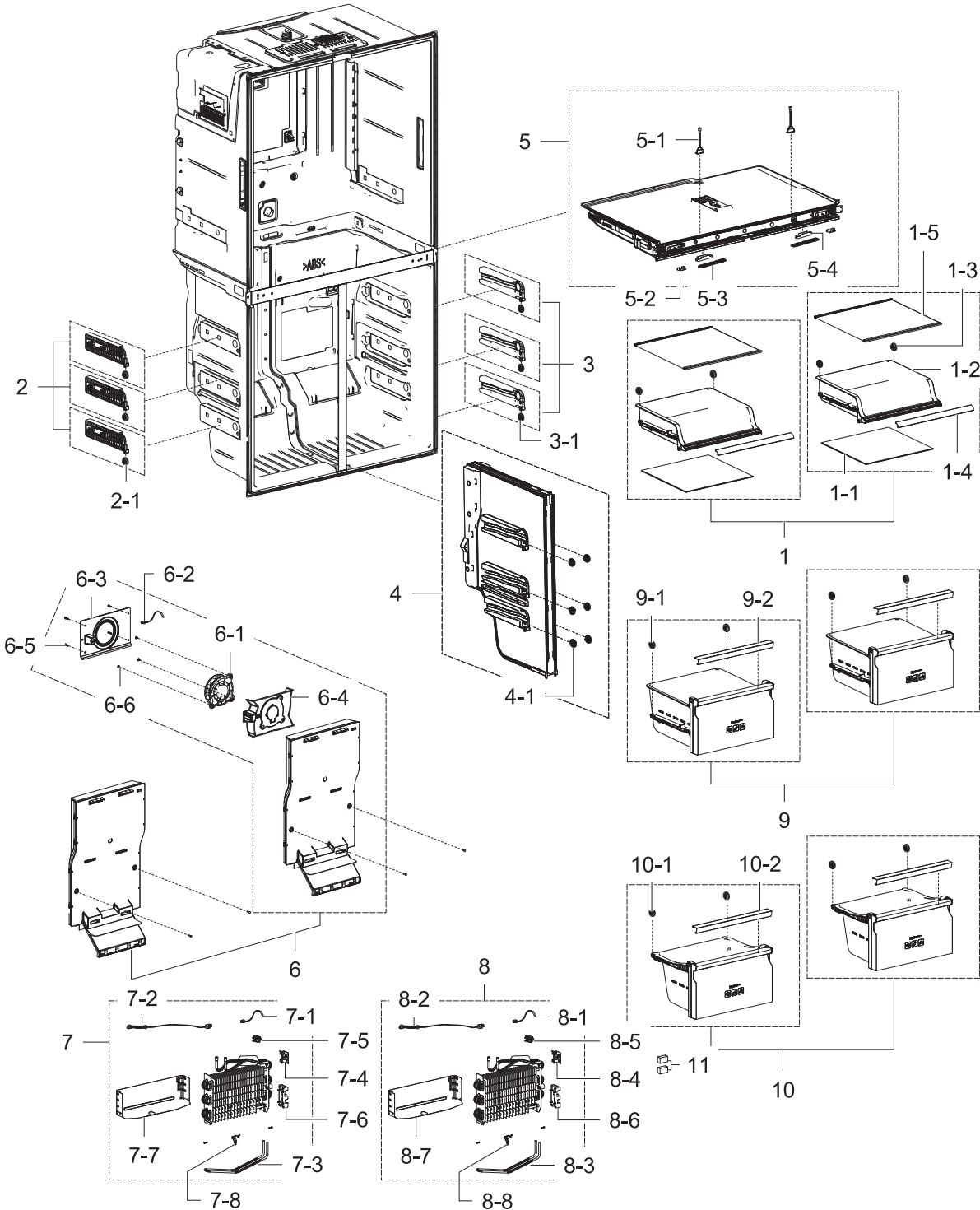


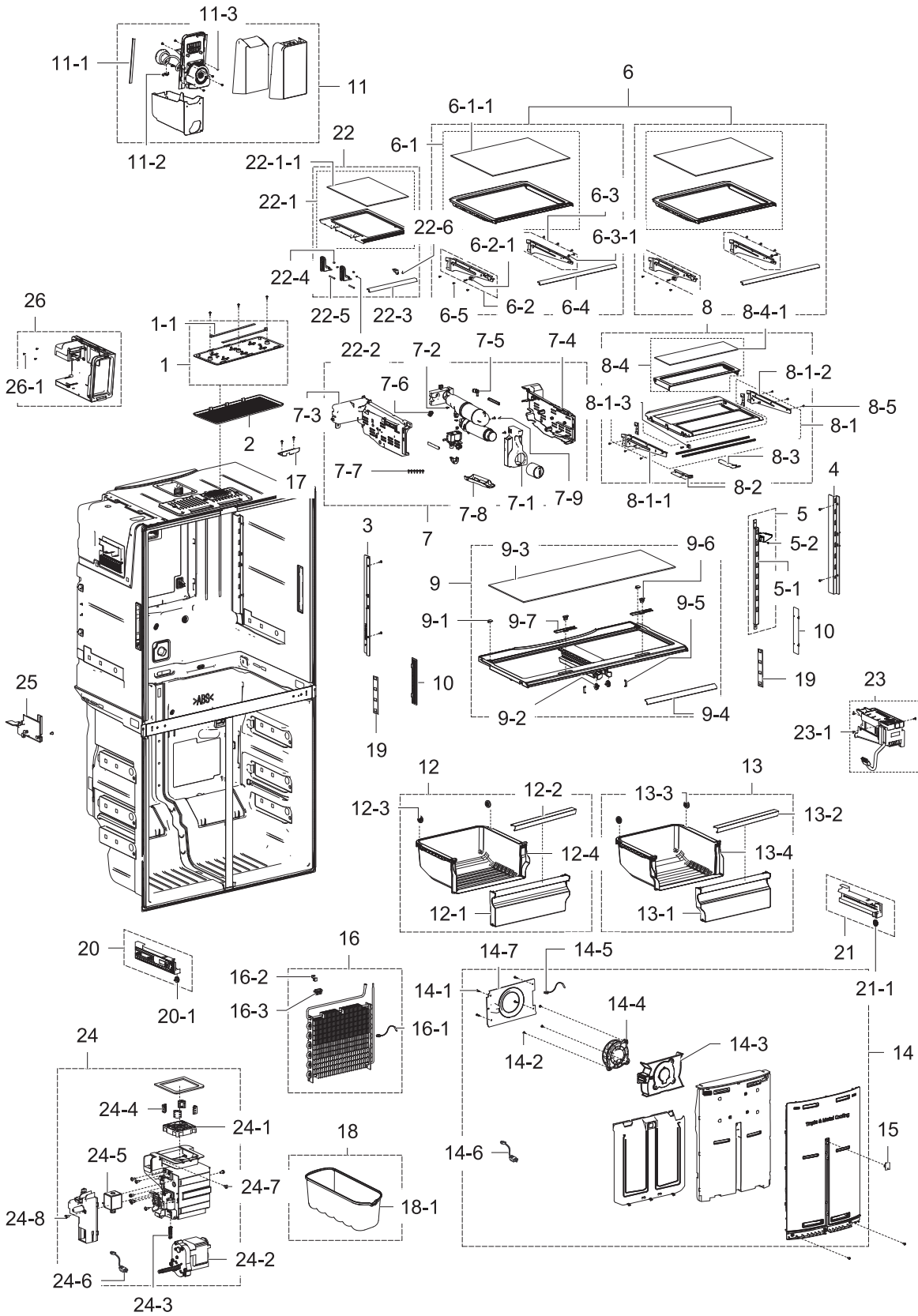
1. Freezer

Exploded View



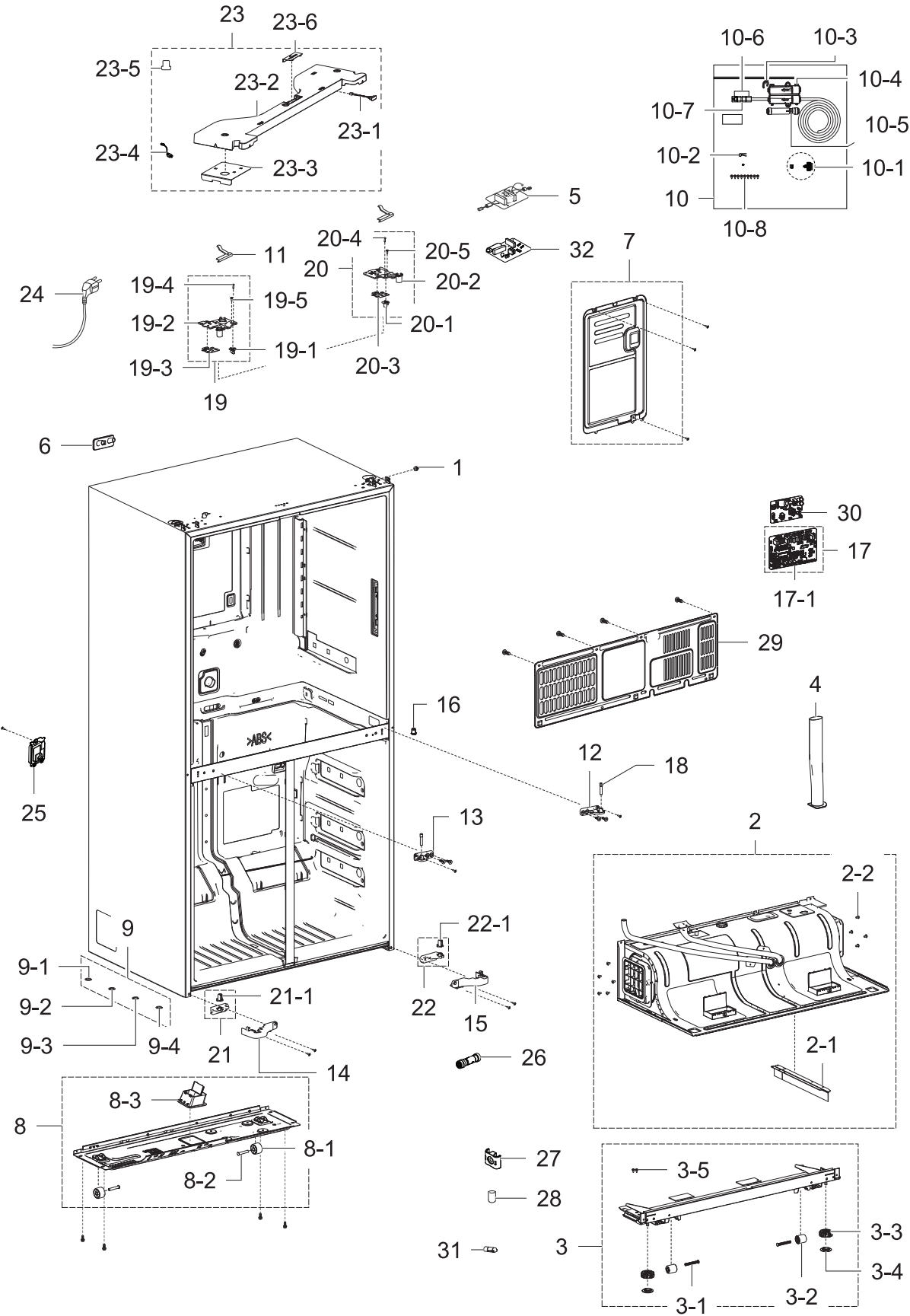
2. Fridge

Exploded View



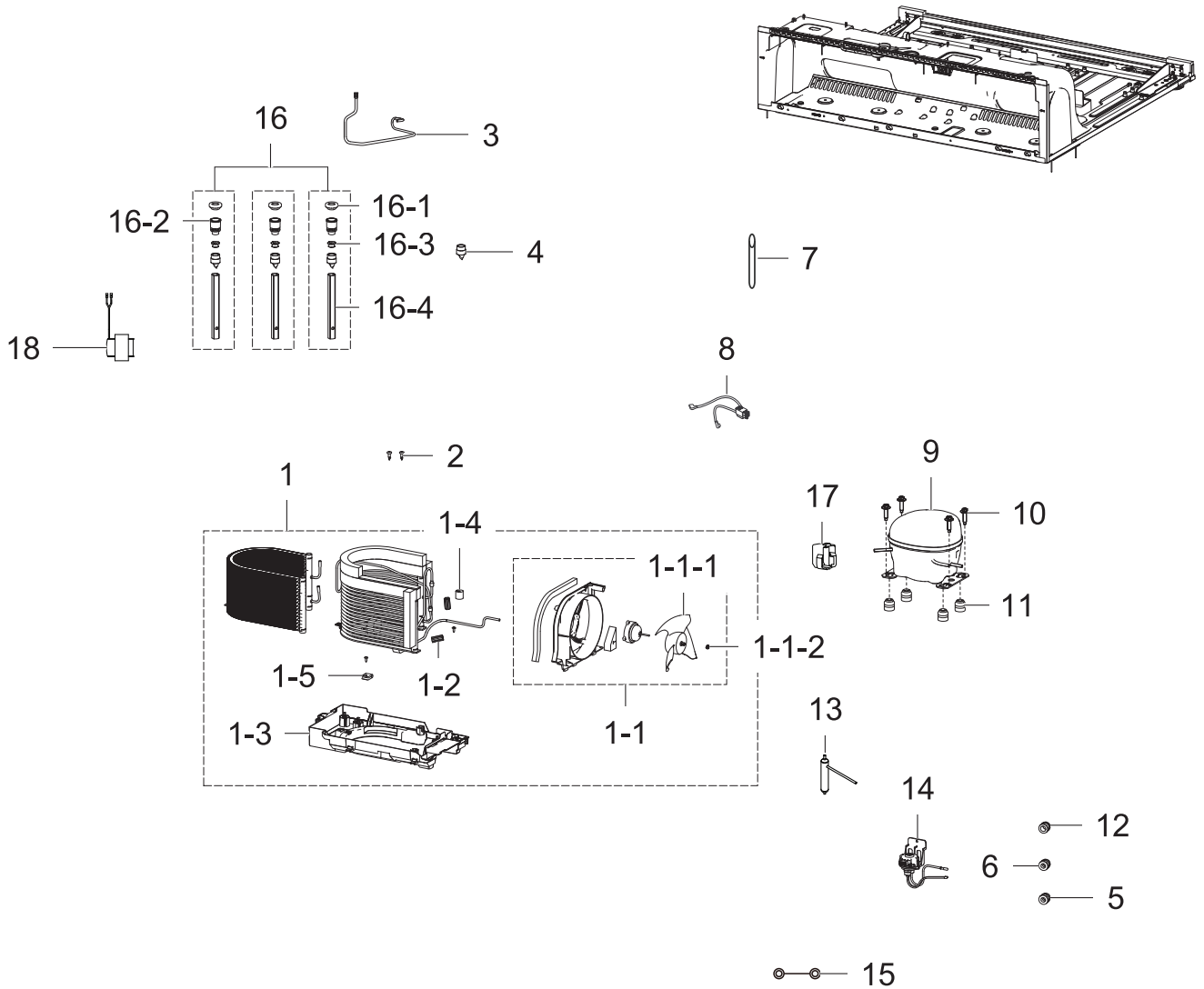
3. Cabinet

Exploded View



4. Cycle

Exploded View

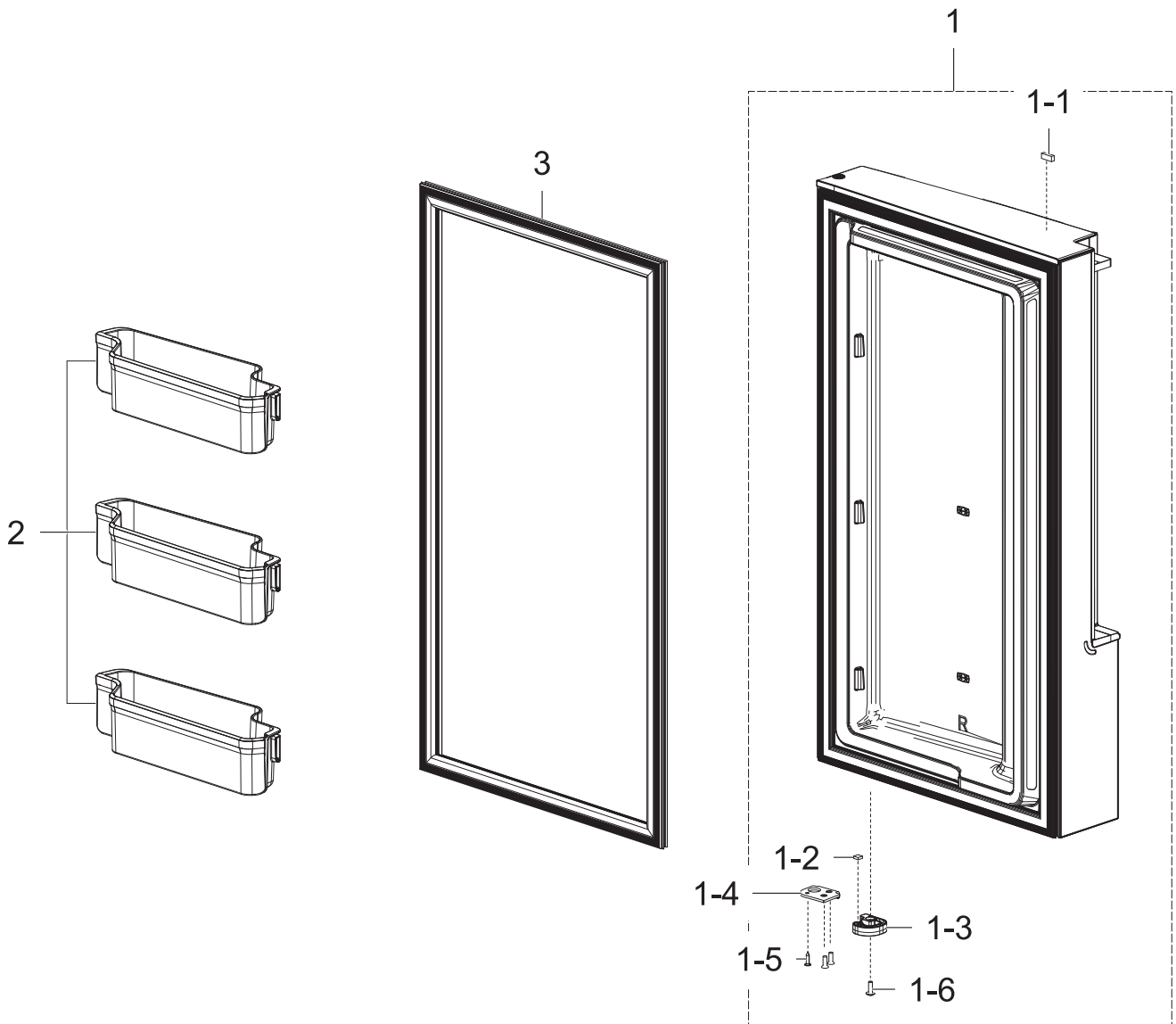


Parts List

No.	Lvl.	Loc.	Material Code	Description & Specification	SNA	Qty.
1	2	RH003	DA97-15978B	ASSY TRAY DRAIN WATER; FDR,PFC(La+Ce)	SA	1
1-1	3	RO132	DA97-15765A	ASSY SUPPORT-CIRCUIT MOTOR; C 160I	SA	1
1-1-1	4	RG062	DA31-00320A	FAN; HM12,ABS+GLASSFIBER,GR-4010/NTR	SC	1
1-1-2	4	RR053	DA61-20128A	SPRING ETC-FAN; STS304,PI8.8,ID7.8,OD9.8,	SA	1
1-2	3		DA63-07323A	GROMMET-IMMERSION PIPE B; ROMANEE CONTI,N	SA	2
1-3	3	RH885	DA63-08236A	TRAY DRAIN-WATER; AW2-14,PP,HB,GRAY,PFC C	SNA	1
1-4	3	RX020	DA63-40171B	GROMMET-SUCT PIPE A; NBR,-,ID4,OD20	SC	1
1-5	3	RH054	DA63-04424A	GROMMET-COND SUB; GUGGENHEIM,NBR,-,-,-,-,-,	SA	1

5. Freezer Door R

Exploded View

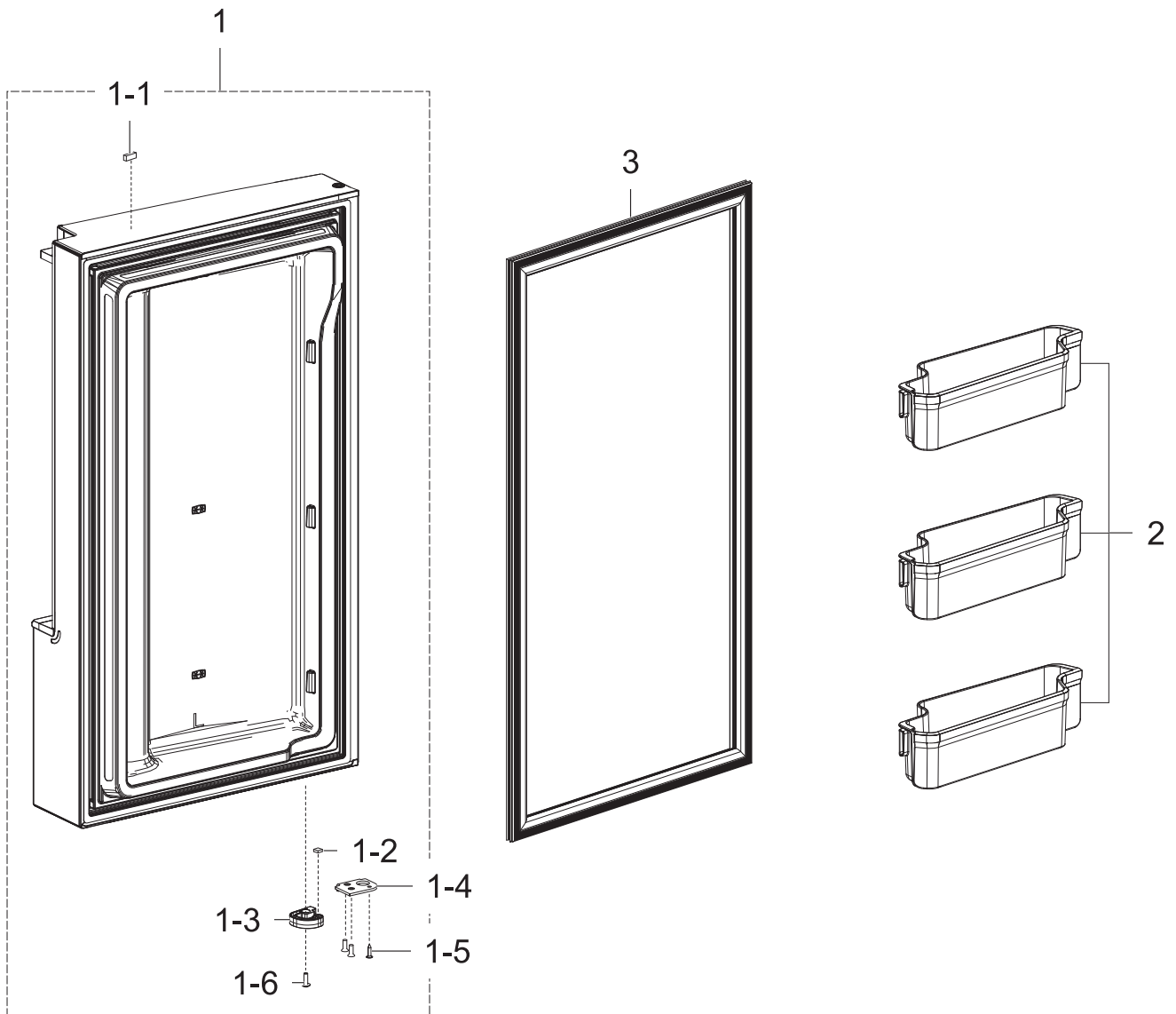


Parts List

No.	Lvl.	Loc.	Material Code	Description & Specification	SNA	Qty.
1	3		DA91-04310C	ASSY DOOR FOAM-FRE RIGHT; REAL STS(430),2	SA	1
1-1	4	RY479	DA61-03769A	MAGNET-A; HERMES,FERRITE,1600Gauss	SA	2
1-2	6	RR067	DA63-40294A	GROMMET-STOPPER; T3XW8XL8,NR,-,-,-,-,-,-,	SA	4
1-3	6	RU262	DA61-02383E	SUPPORT DOOR-CLOSE; AW-PJT,PK,M33R3A000,C	SA	2
1-4	6	RE439	DA61-08817A	STOPPER DOOR-R; ROMANEE CONTI,PO-SPHC,T2.	SA	2
1-5	6	RR015	6002-001120	SCREW-TAPPING; FH,+,1,M4,L18,ZPC(WHT),SWR	SA	4

6. Freezer Door L

Exploded View

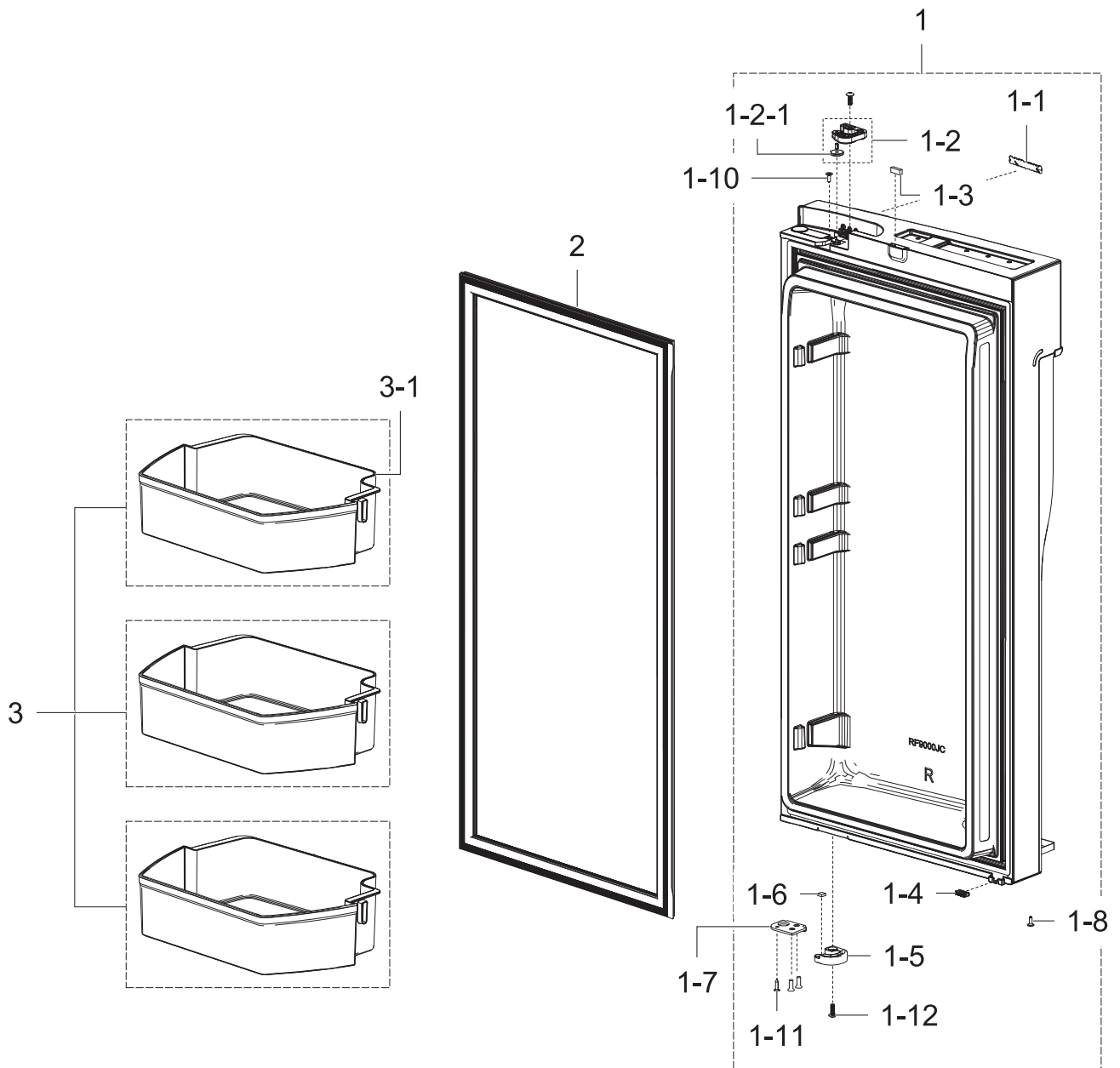


Parts List

No.	Lvl.	Loc.	Material Code	Description & Specification	SNA	Qty.
1	3		DA91-04321C	ASSY DOOR FOAM-FRE LEFT; REAL STS,SILVER	SA	1
1-1	4	RY479	DA61-03769A	MAGNET-A; HERMES,FERRITE,1600Gauss	SA	2
1-2	6	RR067	DA63-40294A	GROMMET-STOPPER; T3XW8XL8,NR,-,-,-,-,-,-	SA	4
1-3	6	RU262	DA61-02383E	SUPPORT DOOR-CLOSE; AW-PJT,PK,M33R3A000,C	SA	2
1-4	6	RD070	DA61-08816A	STOPPER DOOR-L; ROMANEE CONTI,PO-SPHC,BLA	SA	2
1-5	6	RR015	6002-001120	SCREW-TAPPING; FH,+,1,M4,L18,ZPC(WHT),SWR	SA	4

7. Fridge Door R

Exploded View



Parts List

No.	Lvl.	Loc.	Material Code	Description & Specification	SNA	Qty.
1	3		DA91-04318Q	ASSY DOOR FOAM-REF RIGHT; RF9000JC,SR(REA	SA	1
1-1	4	RO716	DA64-04021D	MASCOT; ALL,Ni,T0.06,L90	SA	1
1-2	5	RO172	DA97-12625A	ASSY LEVER-AUTO CLOSE; AW4,POM,BLACK	SA	1
1-2-1	6	RO570	DA66-00440A	ROLLER-AUTO CLOSE; AW-PJT,NY-6,BLACK	SA	1
1-3	5	RY479	DA61-03769A	MAGNET-A; HERMES,FERRITE,1600Gauss	SA	1

8. Fridge Door L

Exploded View

