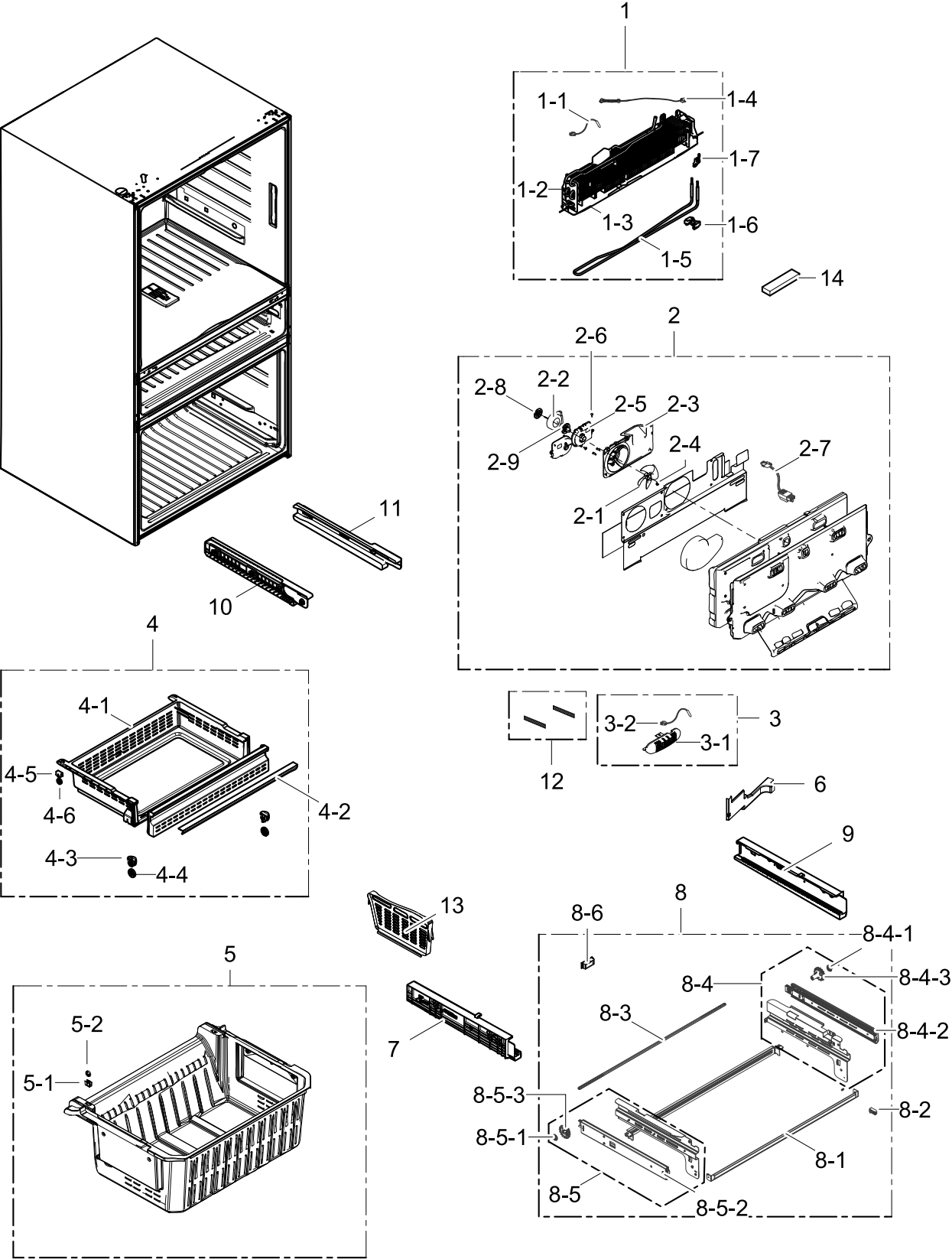


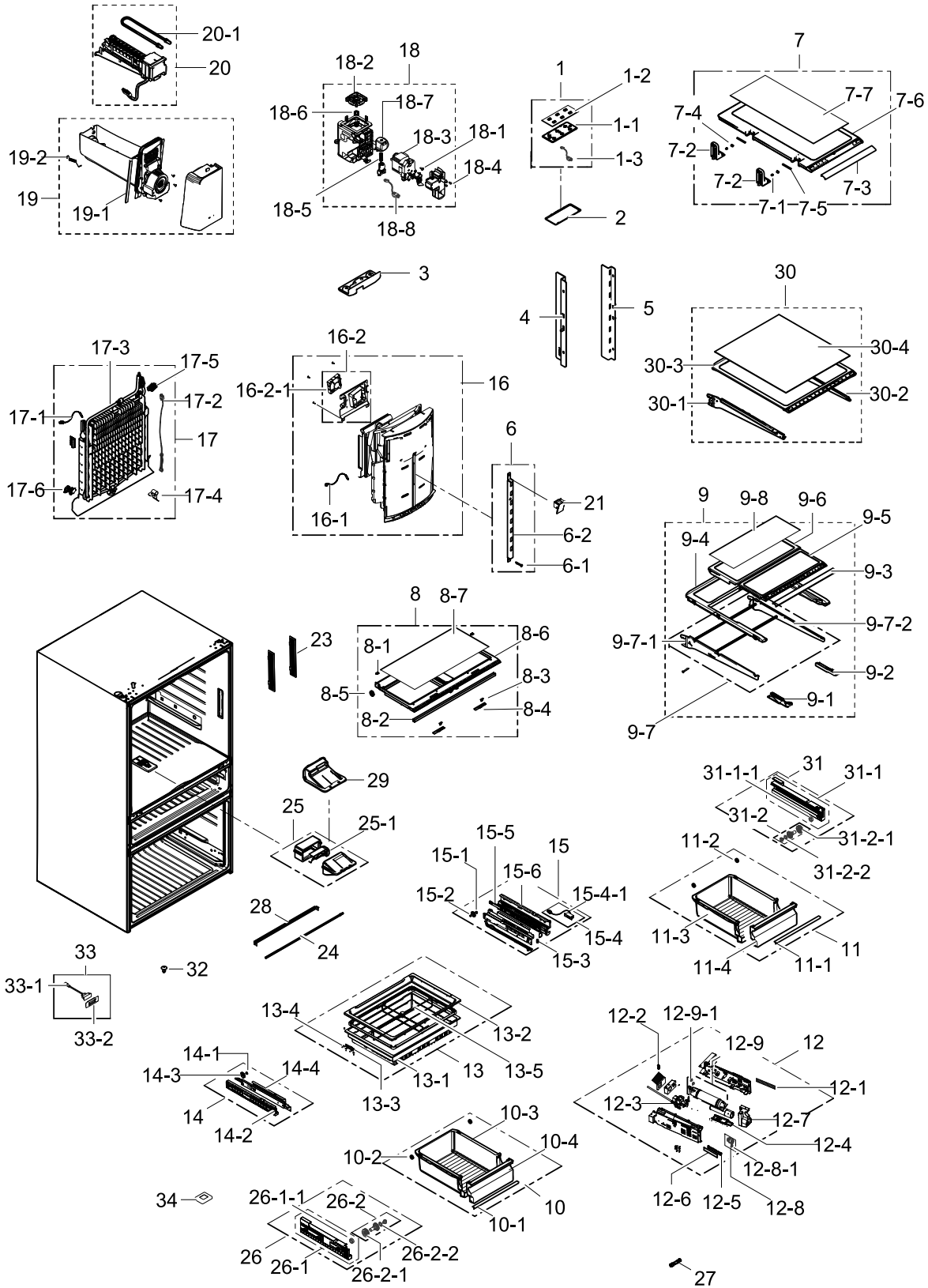
# 1. Freezer

## Exploded View



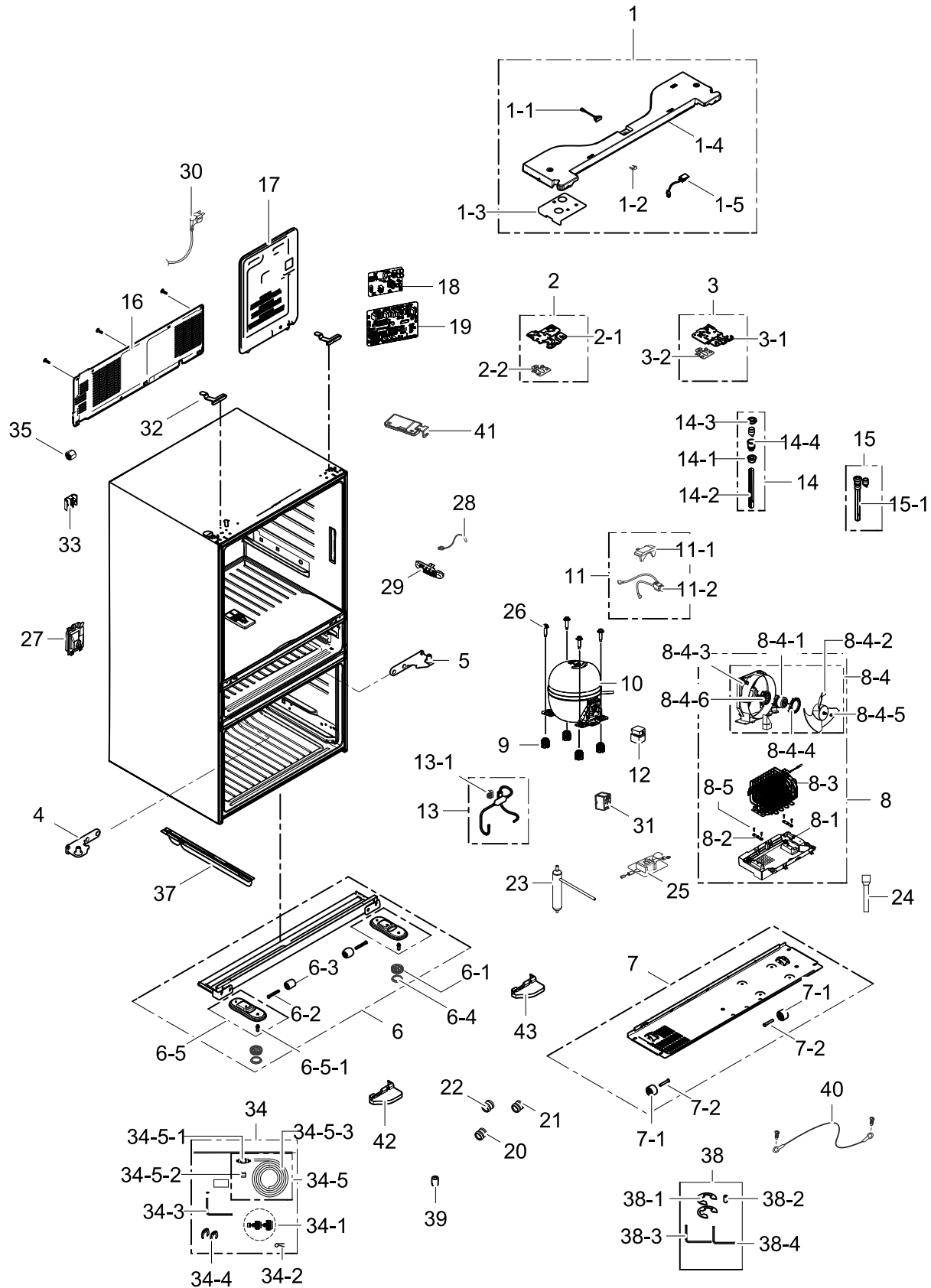
# 2. Refrigerator

## Exploded View



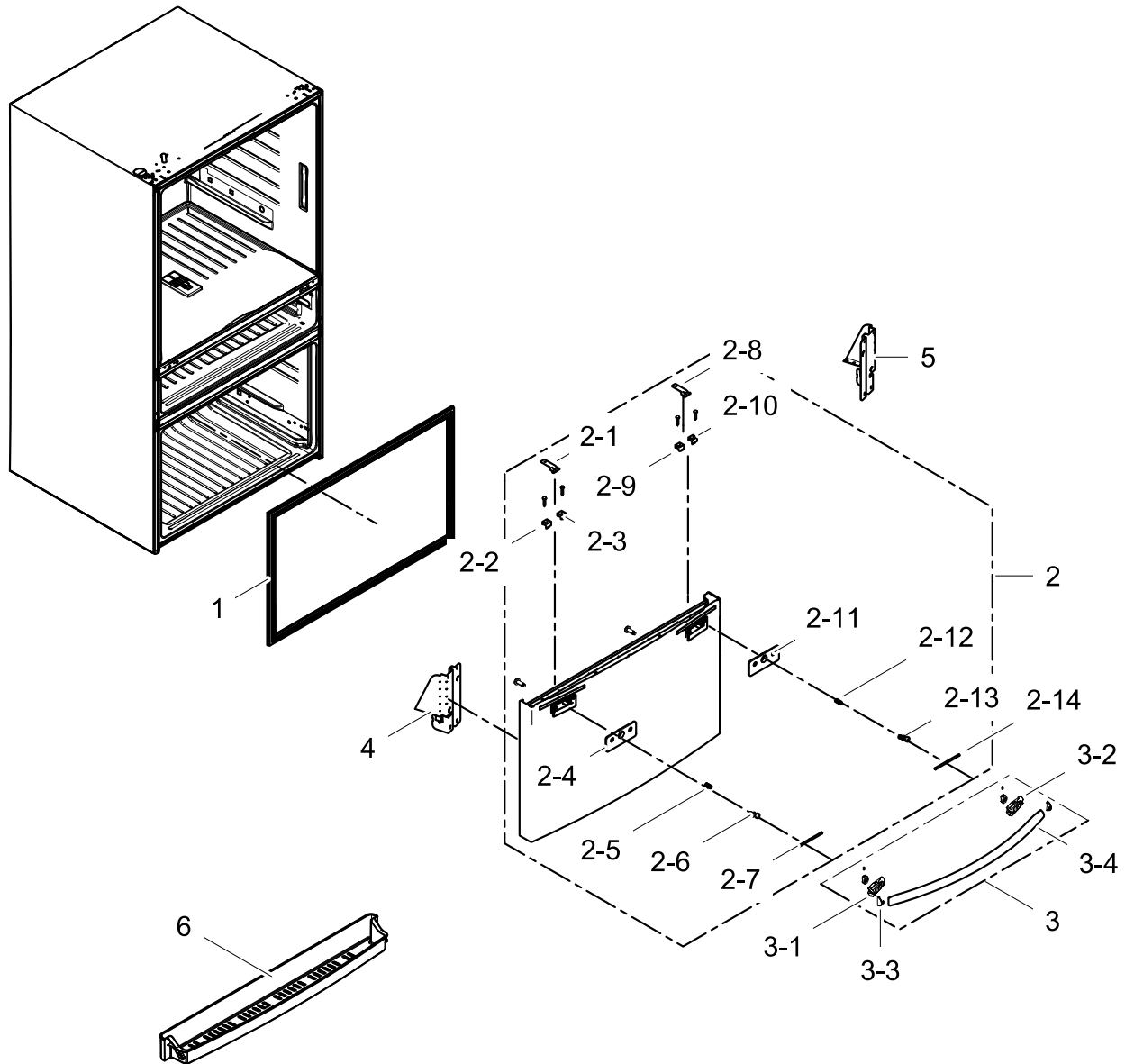
# 3. Cabinet

## Exploded View



## 4. Freezer-Door

### Exploded View

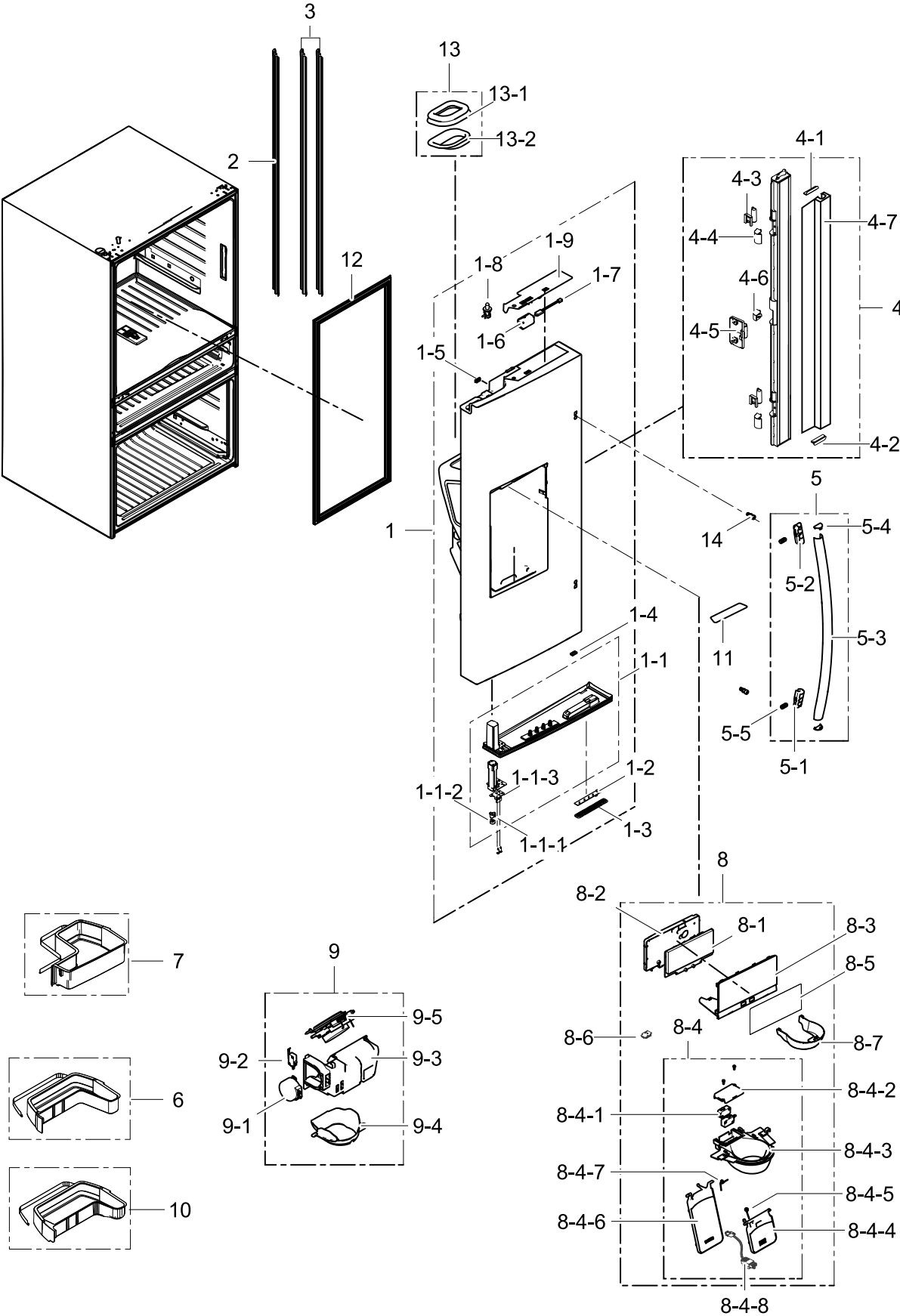


### Parts List

No.	Lvl.	Loc.	Material Code	Description & Specification	SNA	Qty.
1	2		DA97-12522S	ASSY GASKET-FRE; AW4-4D,GRAY	SA	1
2	2	RD001	DA91-04003F	ASSY DOOR FOAM-FRE; RF24FS, Real STS(Coat	SA	1
2-1	5	RU036	DA61-08234A	SLIDER-EASY HANDLE; AW4,POM,CREAMY-ST,S,F2	SA	1
2-2	5	RU028	DA61-05930A	FIXER-SHAFT L; AW3,POM,BLACK(SC-00477R)	SA	1
2-3	4	RU029	DA61-05899A	FIXER-SHAFT R; AW3,POM,NTR	SA	1
2-4	4	RF219	DA61-06658A	REINF-CAP HANDLE; AW3,HGI-SGHC,T1.6	SA	1

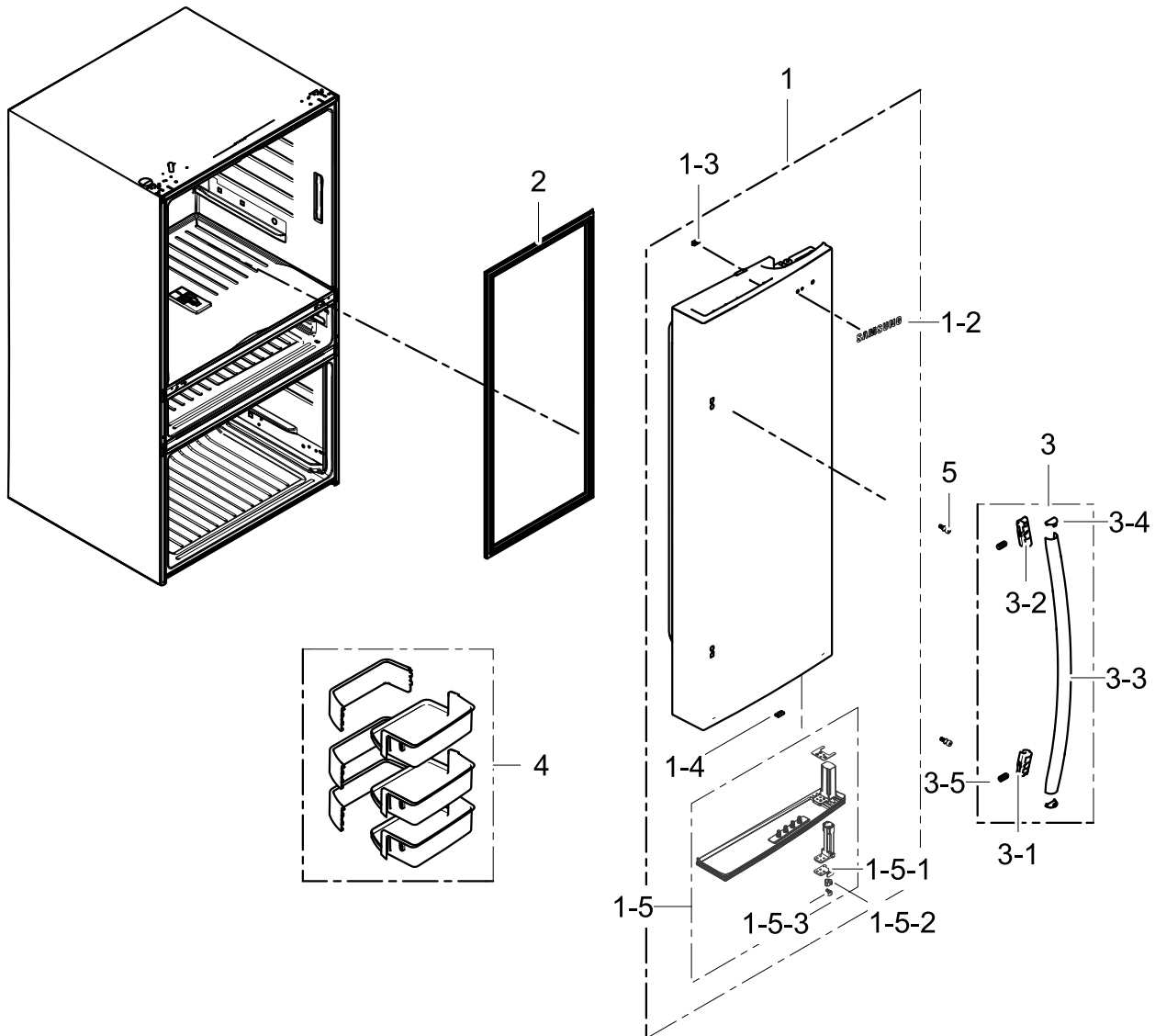
# 5. Refrigerator-Door-L

## Exploded View



## 6. Refrigerator-Door-R

### Exploded View

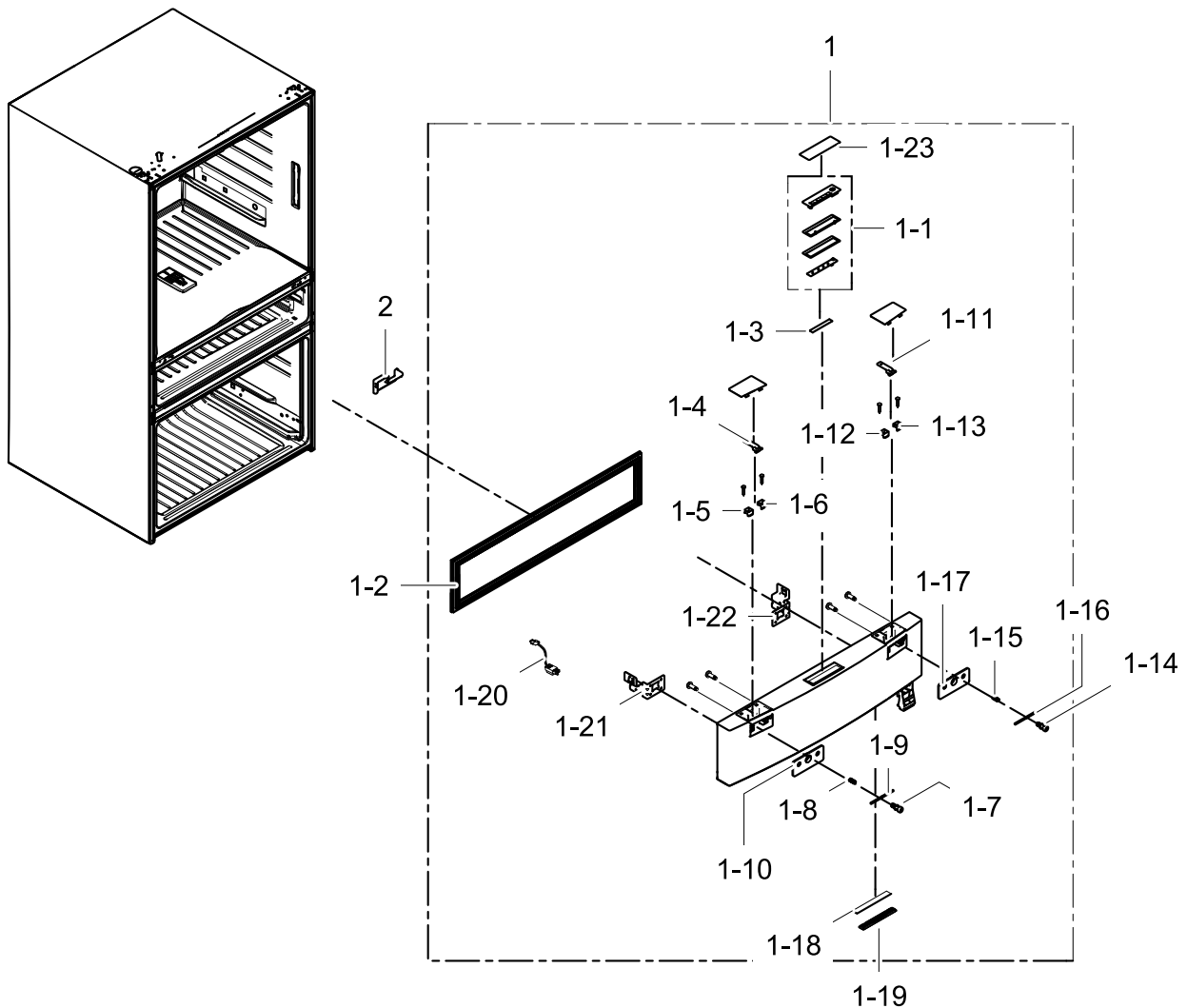


### Parts List

No.	Lvl.	Loc.	Material Code	Description & Specification	SNA	Qty.
1	2		DA91-04002E	ASSY DOOR FOAM-REF RIGHT; RF31FM*/RF24FS*	SA	1
1-2	4	RO716	DA64-04021B	MASCOT; ALL,NI,-,T0.06,L90	SC	1
1-3	5	RY479	DA61-03769A	MAGNET-A; HERMES,FERRITE,1600Gauss	SA	1
1-4	5	RD292	DA63-04825A	GROMMET-CHASSIS UP; SRT749,SI,T5.0,W20.0,	SA	1
1-5	5		DA97-13828A	ASSY HINGE-RIGHT; AW4-4D,AUTO CLOSE	SA	1
1-5-1	6		DA61-09173A	STOPPER DOOR-RIGHT; AW4-4D,PO-SPHC,BLACK,	SA	1

## 7. Flexzone-Door

### Exploded View



### Parts List

No.	Lvl.	Loc.	Material Code	Description & Specification	SNA	Qty.
1	2		DA97-13797E	ASSY DOOR-MIDDLE; AW4 4D,RS,PLATE,220V	SC	1
1-1	3		DA97-10605C	ASSY COVER CONTROL-CONVERTIBLE; AW4_4D,WH	SA	1
1-2	3		DA97-12522Q	ASSY GASKET-MIDDLE; AW4-4D,GRAY	SA	1
1-3	3	RU018	DA63-05630A	COVER-CONTROL WINDOW CONV; AW3,ACRYL,NATU	SA	1
1-4	5	RU036	DA61-08234A	SLIDER-EASY HANDLE; AW4,POM,CREAMY-ST5,F2	SA	1
1-5	5	RU028	DA61-05930A	FIXER-SHAFT L; AW3,POM,BLACK(SC-00477R)	SA	1
1-6	4	RU029	DA61-05899A	FIXER-SHAFT R; AW3,POM,NTR	SA	1