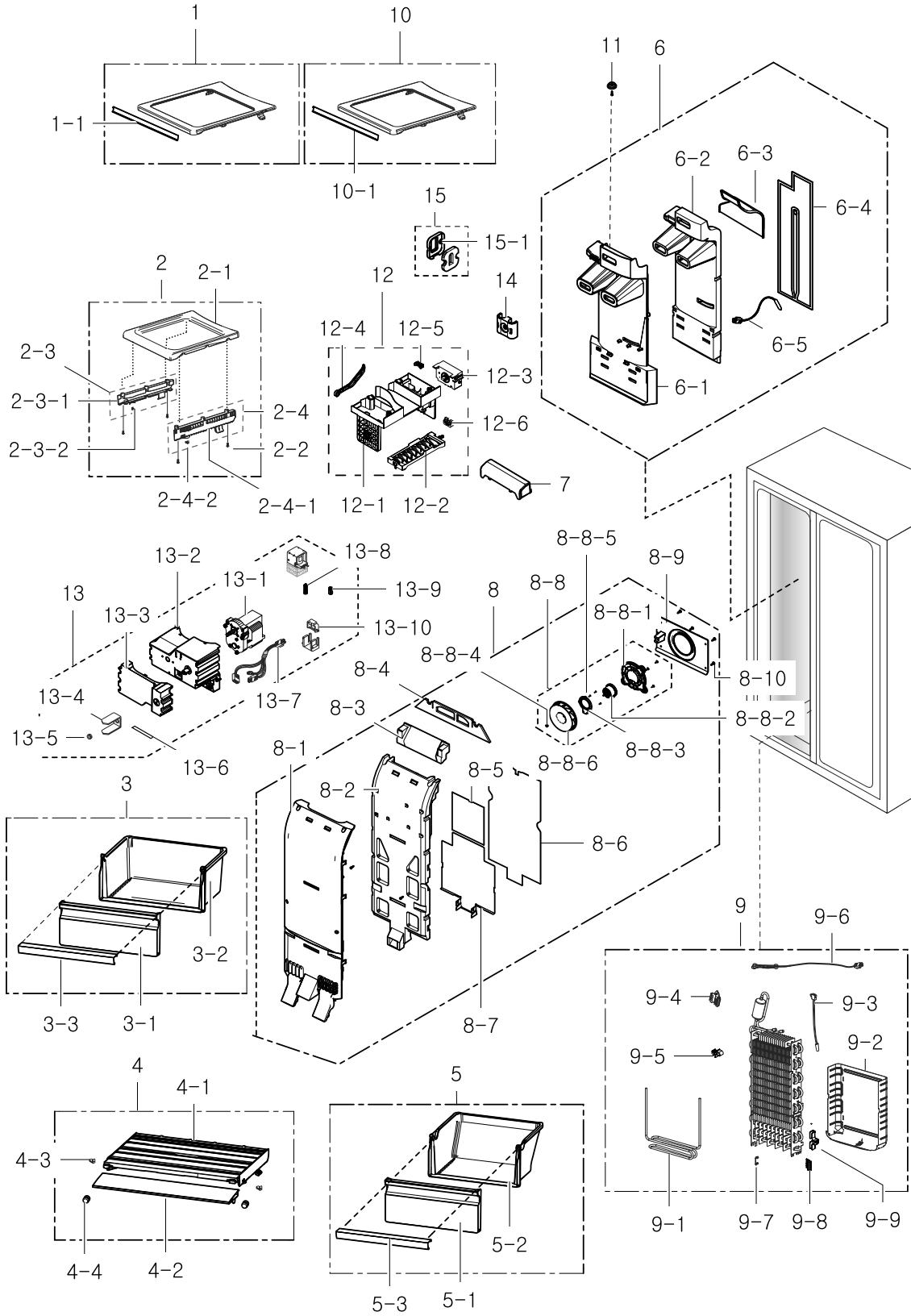


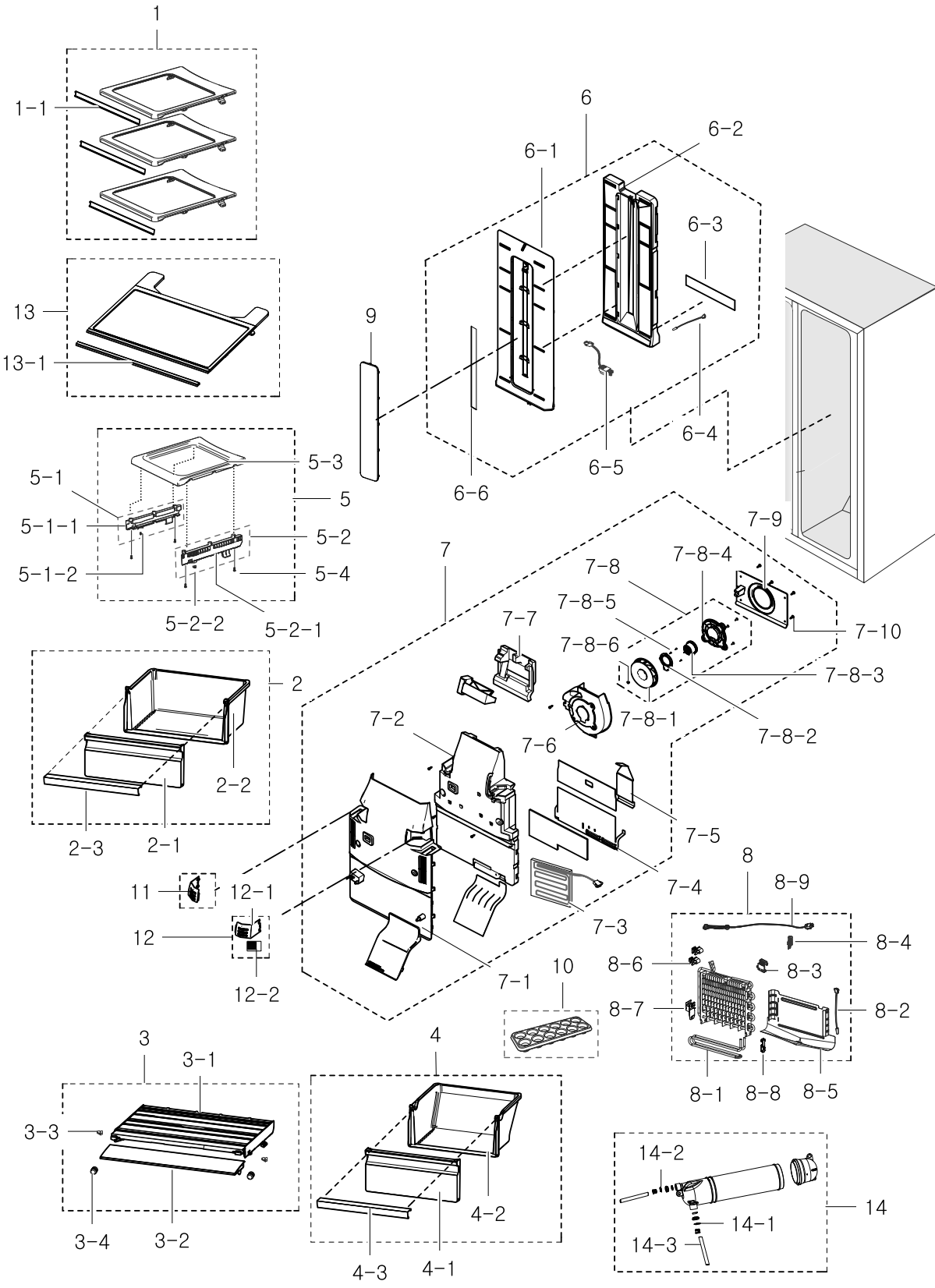
# 1. Freezer

## Exploded View



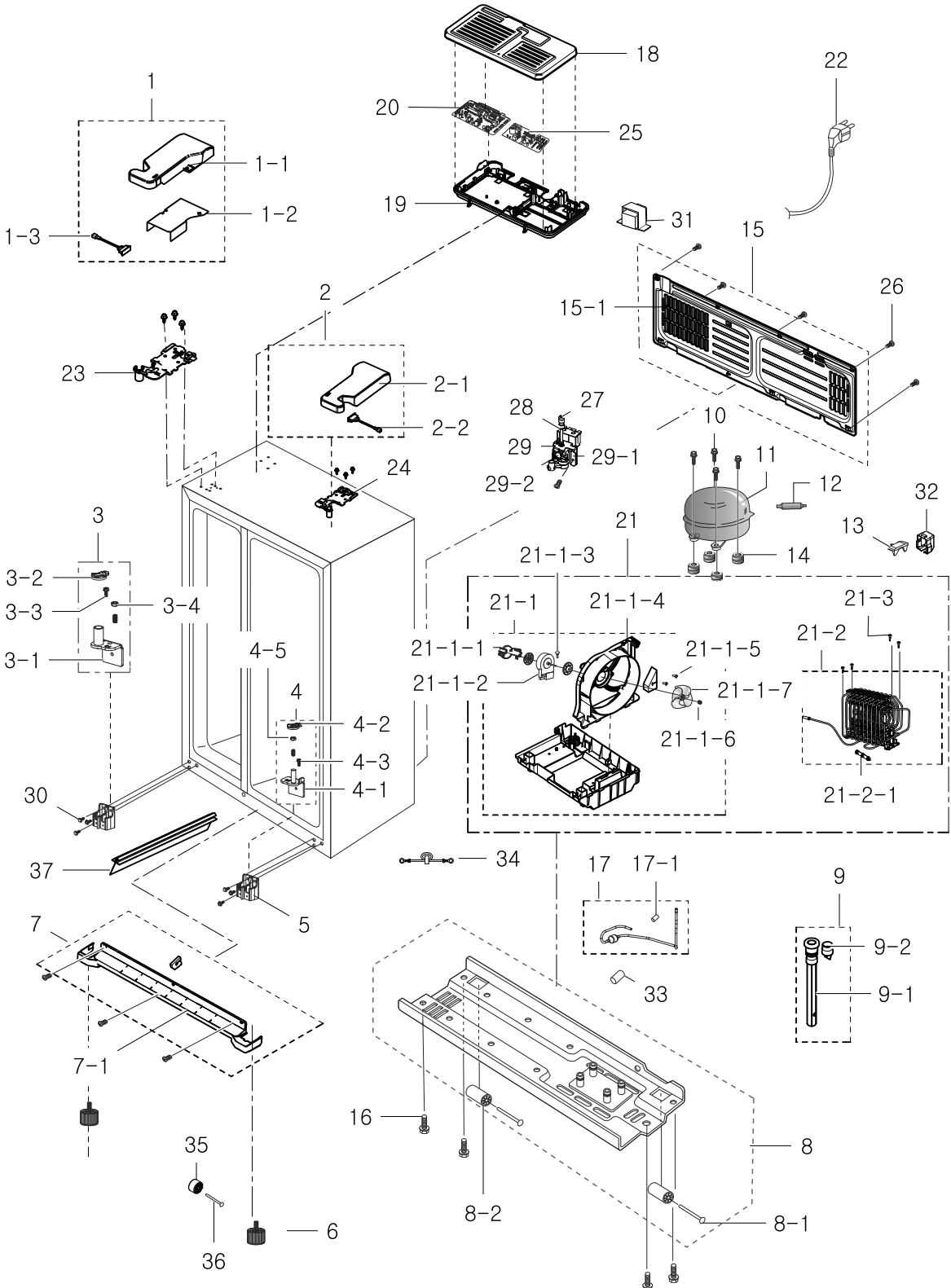
# 2. Fridge

## Exploded View



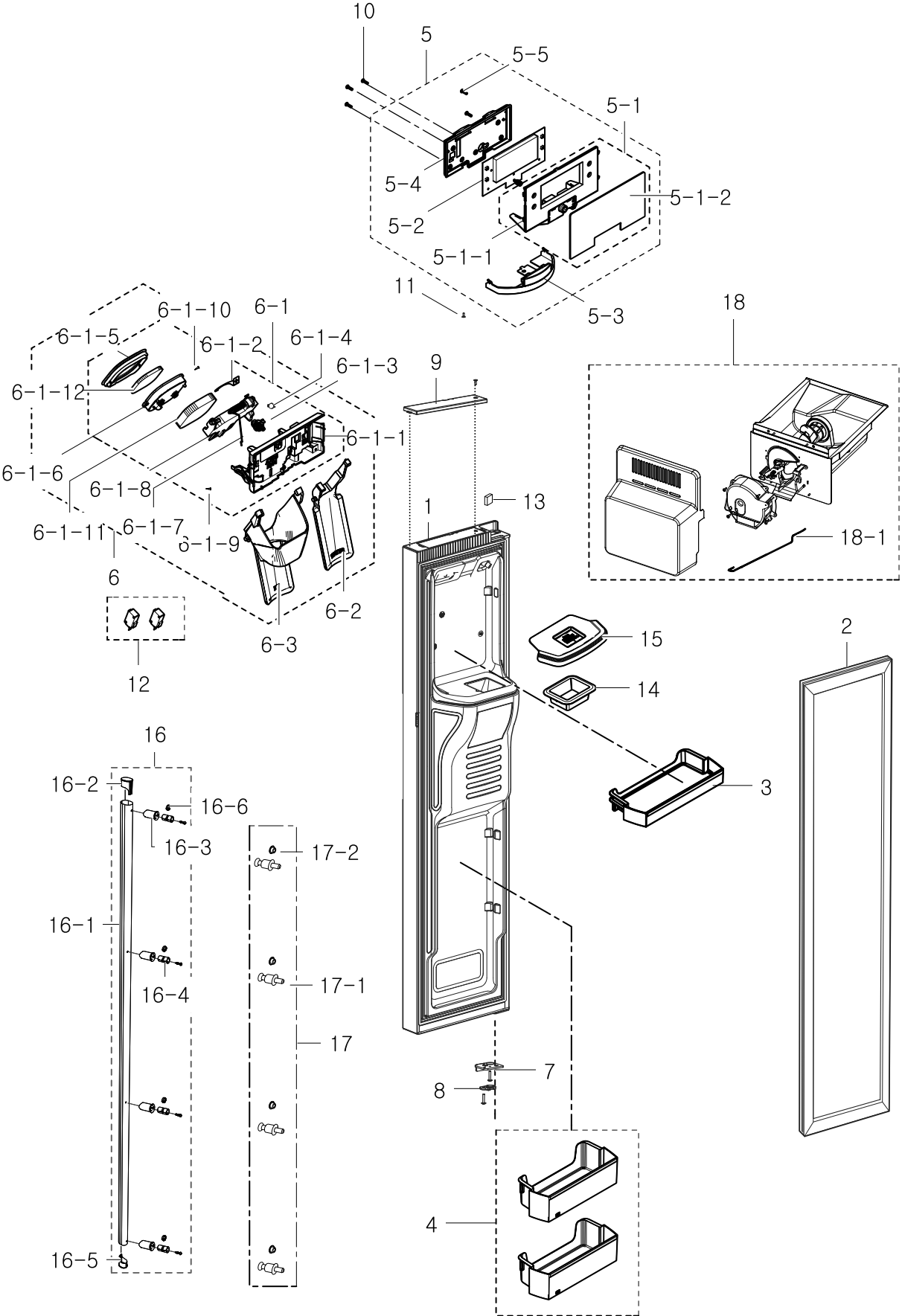
# 3. Cabinet

## Exploded View



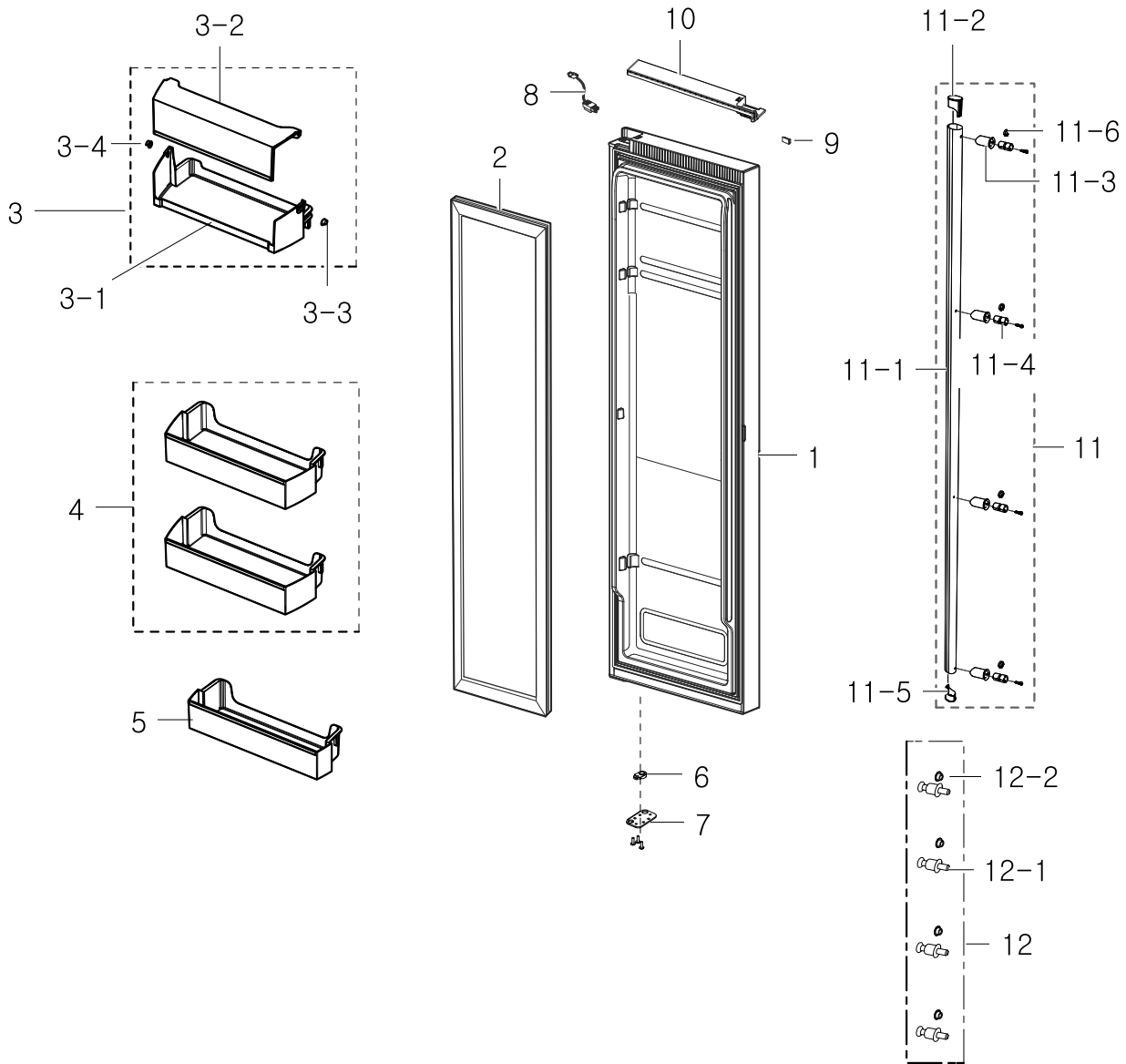
# 4. Freezer Door

## Exploded View



# 5. Fridge Door

## Exploded View



## Parts List

No.	Lvl.	Loc.	Material Code	Description & Specification	SNA	Qty.
1	2		DA91-03843G	ASSY DOOR-FOAM REF; RS756*/RS752*,ALF,V,L	SA	1
2	2	G0574	DA97-12398G	ASSY-GASKET DOOR; REF,HM10,GRAY,L1587,W46	SA	1
3	2	M0094	DA97-12780B	ASSY GUARD-DAIRY; HM12,GPPS,NTR	SA	1
3-1	3	A0155	DA63-07063A	GUARD-DAIRY; HM12,GPPS,T2.5,423.3,113.6,T	SA	1
3-2	3	A0660	DA63-07070B	COVER-GUARD DAIRY; HM12-SEPM,GPPS,T2.5,W4	SA	1
3-3	3		DA67-02920A	CAP-HINGE DAIRY R; POLARIS,POM,NTR	SA	1